



**SUPREMA**



 **bioentry** **Plus**

IP based Fingerprint Access Control

# Installation Guide

(ver 1.0)

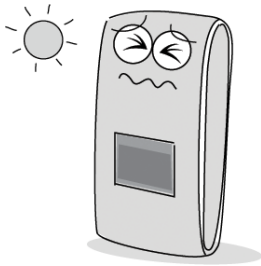
[www.supremainc.com](http://www.supremainc.com)

## Contents

Safety precautions	3
Basics of fingerprint recognition	5
How to place a finger	6
Product Contents	8
Front Side	10
Bottom and Back Side	11
Product Dimension	12
Cables and Connectors	13
Installation of Wall-mount Bracket	14
Power Connection	15
Ethernet Connection	16
RS485 Connection	18
Relay Connection	20
Digital Input Connection	23
Wiegand Output	25
Installation Reference	26
Electrical Specification	29
Troubleshooting	30
Device cleaning	31

## Safety precautions

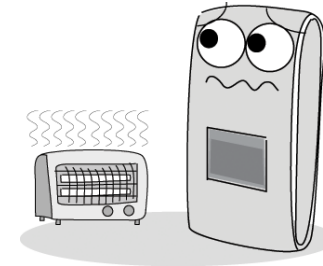
- The list below is to keep user's safety and prevent any loss. Please read carefully before use.



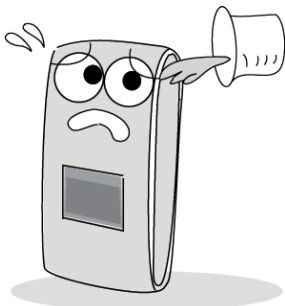
Do not install the device in a place subject to direct sun light, humidity, dust or soot.



Do not place a magnet near the product. Magnetic objects such as magnet, CRT, TV, monitor or speaker may damage the device.



Do not place the device next to heating equipments.



Be careful not to let liquid like water, drinks or chemicals leak inside the device.



Clean the device often to remove dust on it.



In cleaning, do not splash water on the device but wipe it out with smooth cloth or towel.

## Safety precautions

- The list below is to keep user's safety and prevent any loss. Please read carefully before use.



Do not drop the device.



Do not damage the device.



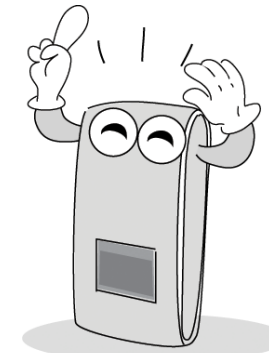
Do not disassemble, repair or alter the device.



Do not let children touch the device without supervision.



Do not use the device for any other purpose than specified.



Contact your nearest dealer in case of a trouble or problem.

## Basics of fingerprint recognition

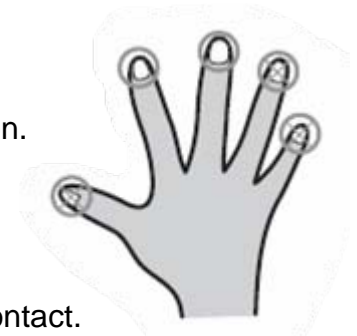
- **What is fingerprint recognition?**
  - Fingerprint is an individual's own biometric information and does not change throughout his/her life. Fingerprint recognition is a technology that verifies or identifies an individual using such fingerprint information.
  - Free from the risk of theft or loss, fingerprint recognition technology is being widely used in security systems replacing PIN or cards.
- **Process of fingerprint recognition**
  - Fingerprint consists of ridges and valleys. Ridge is a flow of protruding skin in a fingerprint while valley is a hollow between two ridges. Each individual has different pattern of ridges and valleys and finger recognition makes use of such originality and uniqueness of these patterns.
  - Fingerprint sensor generates 2-dimensional fingerprint image using different technology. According to the sensing technology, fingerprint sensors are classified into optical, capacitive, or thermal.
  - Fingerprint template is a collection of numeric data representing the features of a fingerprint. Fingerprint templates are saved inside the memory of BioStation and used for identification.
- **Secure way to protect personal information**
  - To avoid privacy concern, Suprema's fingerprint products do not save fingerprint images itself. It is impossible to reconstruct a fingerprint image from a fingerprint template which is just numeric data of the features of a fingerprint.

## How to place a finger

Suprema's fingerprint products show an outstanding recognition performance regardless of the user's fingerprint skin condition or the way of fingerprint positioning. However, following tips are recommended to get more optimal fingerprint recognition performance.

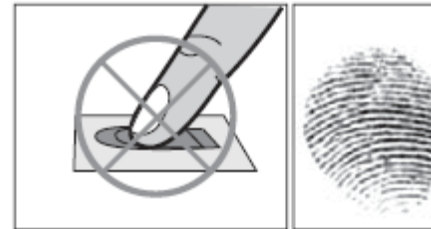
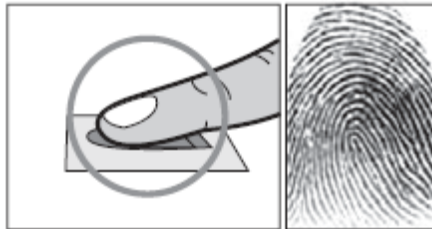
### ■ Select a finger to enroll

- It is recommended to use an index finger or a middle finger.
- Thumb, ring or little finger is relatively more difficult to place in a correct position.



### ■ How to place a finger on a sensor

- Place a finger such that it completely covers the sensor area with maximum contact.
- Place core part of a fingerprint to the center of a sensor.
  - People tend to place upper part of a finger.
  - The core of a fingerprint is a center where the spiral of ridges is dense.
  - Usually core of fingerprint is the opposite side of the lower part of a nail.
  - Place a finger such that the bottom end of a nail is located at the center of a sensor.
- If a finger is placed as in the right picture, only a small area of a finger is captured. So it is recommended to place a finger as shown in the left picture.



## How to place a finger

### ■ **Tips for different fingerprint conditions**

- Suprema's fingerprint products are designed to scan fingerprint smoothly regardless of the conditions of a finger skin. However, in case a fingerprint is not read well on the sensor, please refer to the followings tips.
  - If a finger is stained with sweat or water, scan after wiping moisture off.
  - If a finger is covered with dust or impurities, scan after wiping them off.
  - If a finger is way too dry, place after blowing warm breath on the finger tip.

### ■ **Tips for fingerprint enrollment**

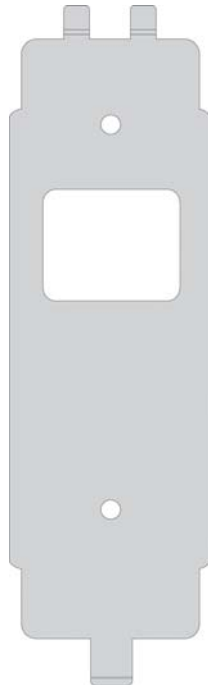
- In fingerprint recognition, enrollment process is very important. When enrolling a fingerprint, please try to place a finger correctly with care.
- In case of low acceptance ratio, the following actions are recommended.
  - Delete the enrolled fingerprint and re-enroll the finger.
  - Enroll the same fingerprint additionally.
  - Try another finger if a finger is not easy to enroll due to scar or worn-out.
- For the case when an enrolled fingerprint cannot be used due to injury or holding a baggage, it is recommended to enroll more than two fingers per user.

## Product Contents

### ■ Basic Contents



BioEntry Plus



Wall-mounting metal bracket



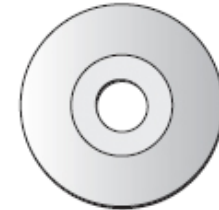
Wall mounting screws – 2 ea



Star-shaped screws



Star-shaped small wrench



Software CD



3 pin, 4 pin, 5 pin, 7 pin cables – each 1 ea

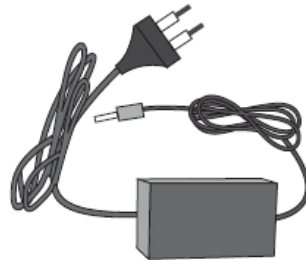


## Product Contents

- **Optional accessories**



Secure I/O



12V power adaptor



Plastic stand



USB fingerprint scanner  
for enrollment on PC

## Front Side

### ■ Front



← RF card reading part  
Place an RF card over the picture

← LED  
Display current status using seven different colors

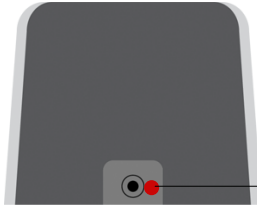
← Fingerprint sensing part  
Place a finger on a sensor surface

#### LED Status per Color

- Green : Authorization Success
- Red : Authorization Fail
- Pink : On Processing
- Flicker Blue/Sky-Blue Color per 2sec : Normal
- Flicker Red/Pink Color per 2sec : Locked
- Flicker Blue/Red Color per 2sec : Initialized Time due to the Internal Battery Discharge
- Flicker Blue/Yellow Color per 2sec : DHCP Fail
- Flicker Red Color per 2sec : Failed. Please contact to your distributor or Suprema
- Flicker Yellow Color per 2sec : Waiting Input
- Flicker Yellow Color per 1sec : Receiving IP Address from DHCP server

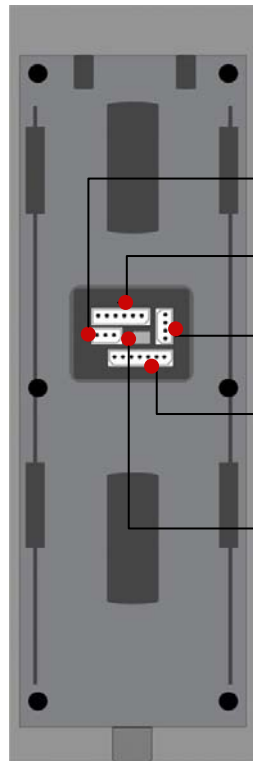
## Bottom and Back Side

### ■ Bottom



● Star-shaped screw hole for fixing a body to a metal bracket

### ■ Back



● 3 pin connector – wiegand output

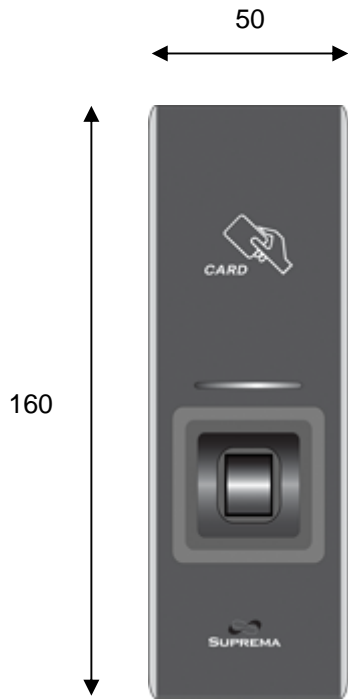
● 5 pin connector – power and RS485

● 4 pin connector – ethernet (TCP/IP)

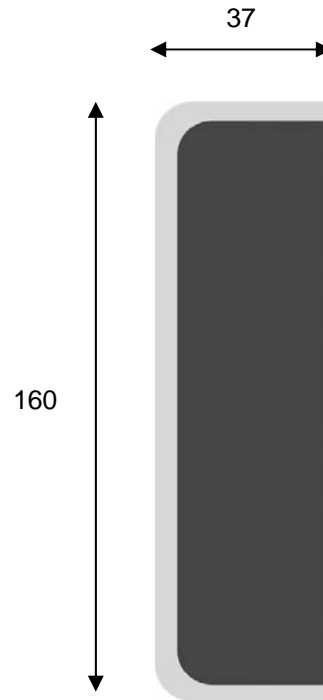
● 7 pin connector – digital input and relay output

● DIP switch – RS485 termination setting  
(Refer to “RS485 Connection” pages for details)

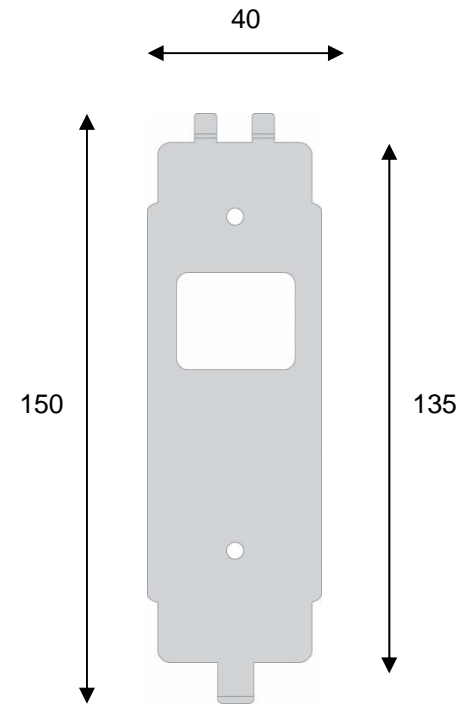
## Product Dimension



Front



Side



Metal Bracket

(unit : mm)

## Cables and Connectors

### Power and RS485



PIN	PIN DESCRIPTION	WIRE
1	POWER +12V	RED
2	POWER GND	BLACK
3	RS -485 GND	GRAY
4	RS -485 TRX+	BLUE
5	RS -485 TRX-	YELLOW

### TCP/IP



PIN	PIN DESCRIPTION	WIRE	RJ45 PIN
1	TX +	YELLOW	6
2	TX -	GREEN	3
3	RX +	RED	2
4	RX -	BLACK	1

### Wiegand output



PIN	PIN DESCRIPTION	WIRE
1	WIEGAND DATA0	GREEN
2	WIEGAND DATA1	WHITE
3	WIEGAND GND	BLACK

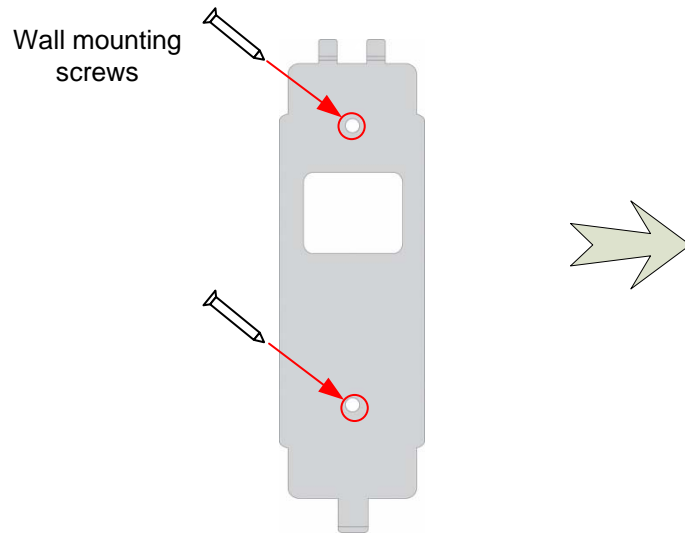
### Digital Inputs and Relay output



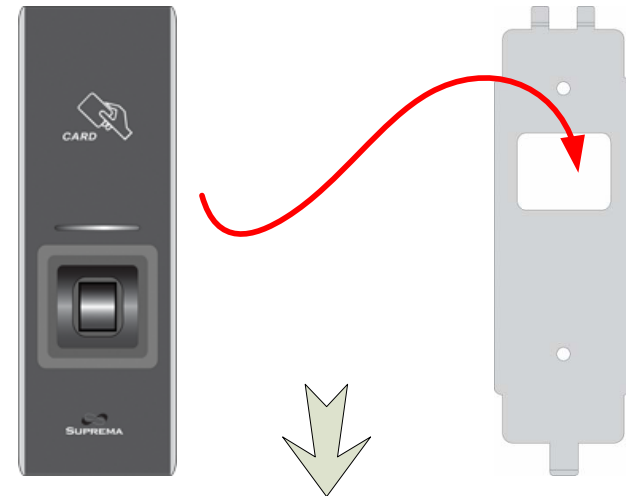
PIN	PIN DESCRIPTION	WIRE
1	SW1 INPUT	YELLOW
2	SW1 GND	BLACK
3	SW2 INPUT	GREEN
4	SW2 GND	BLACK
5	RELAY NORMAL CLOSE	ORANGE
6	RELAY COMMON	BLUE
7	RELAY NORMAL OPEN	WHITE

## Installation of Wall-mount Bracket

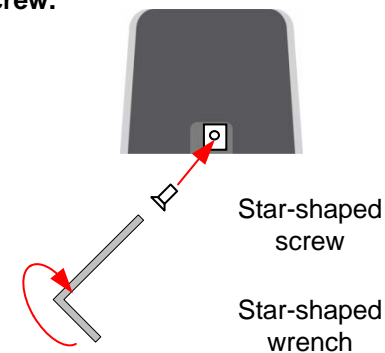
- Fix wall mount bracket on a wall using wall mounting screws



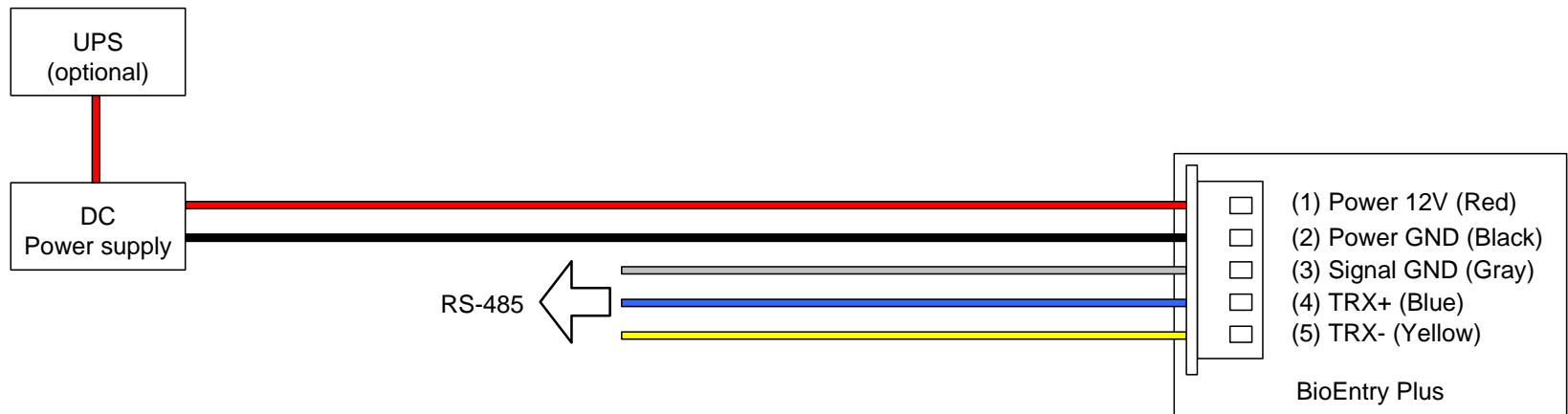
- Hook BioEntry Plus on the wall mount bracket



- Fix BioStation and wall mounting bracket using a star shape screw.

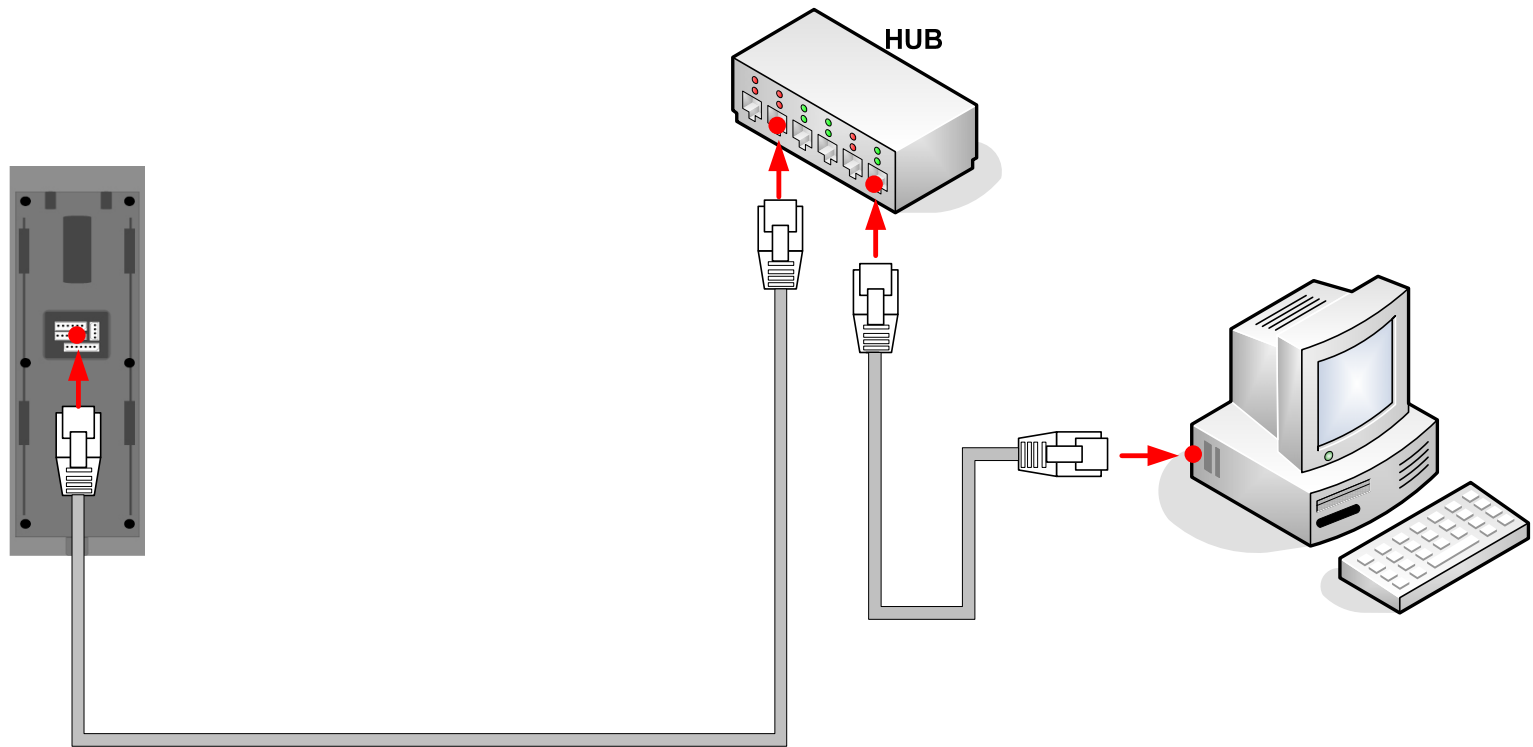


## Power Connection



- **Recommended power supply**
  - 12V  $\pm$  10%, at least 500mA.
  - Comply with standard IEC/EN 60950-1.
  - To share the power with other devices, use a power supply with higher current ratings.

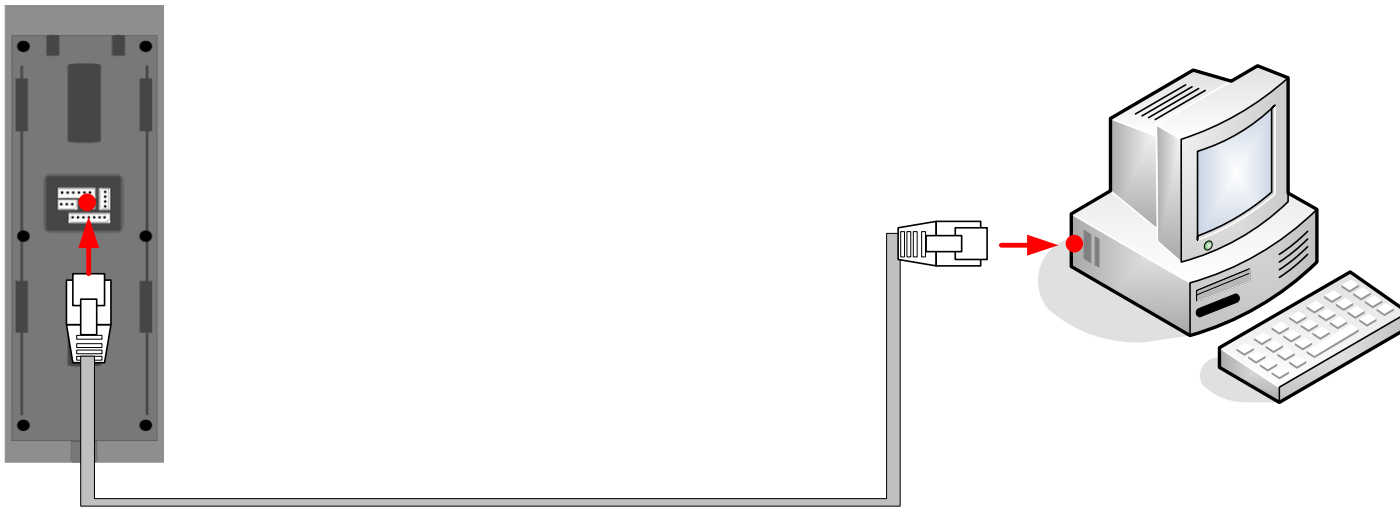
# Ethernet Connection



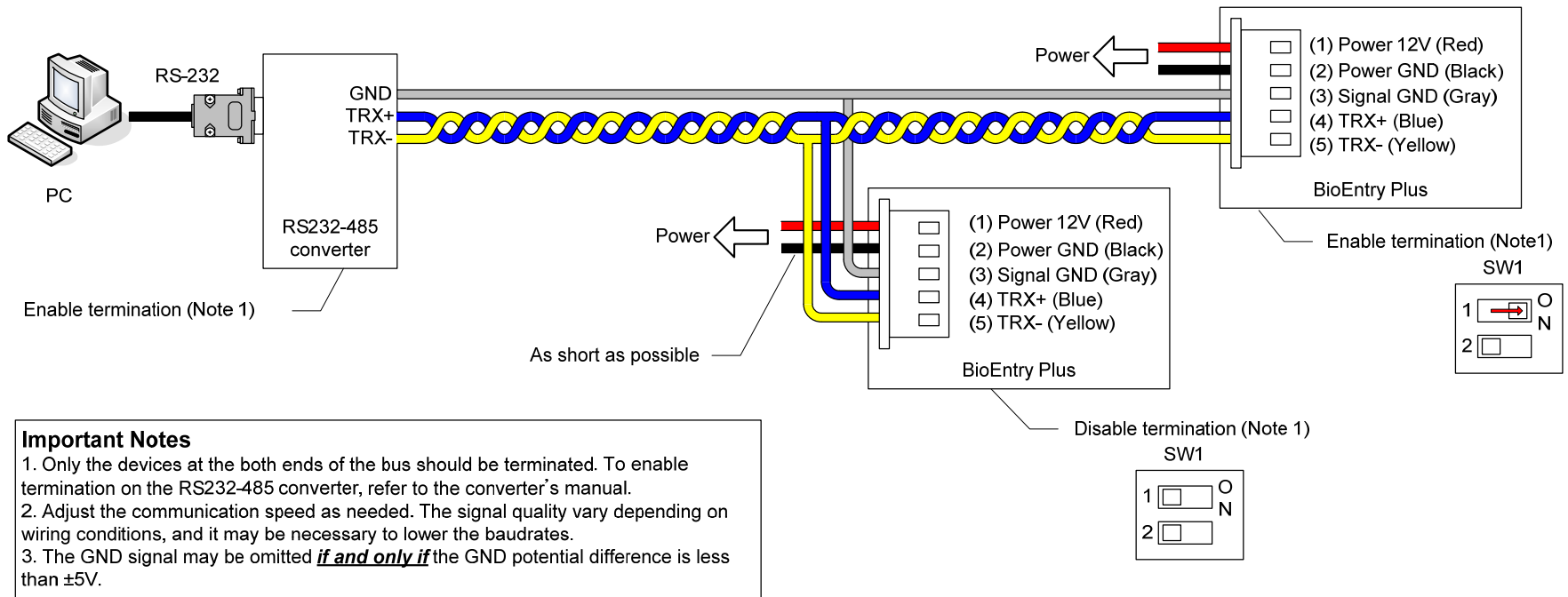


## Ethernet Connection (Direct connection with PC)

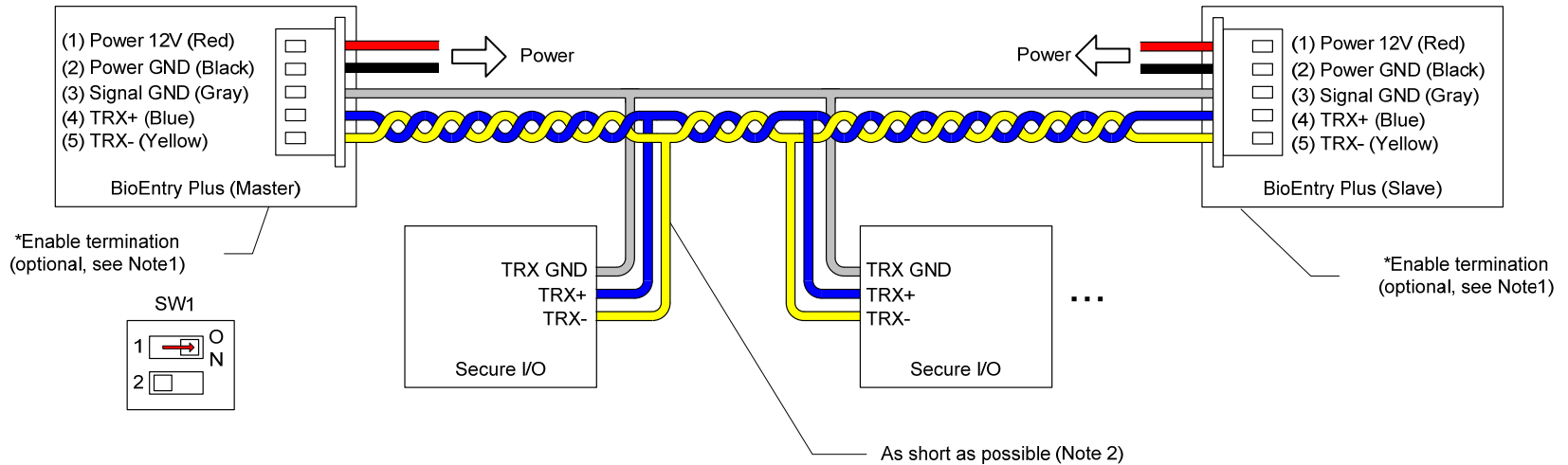
- To connect BioEntry Plus with a PC directly, connect both devices with a straight CAT-5 cable. As the BioEntry Plus supports auto MDI/MDIX feature, it is not necessary to use a crossover type cable.



## RS485 Connection for Host Communication



## RS485 Connection for Secure I/O



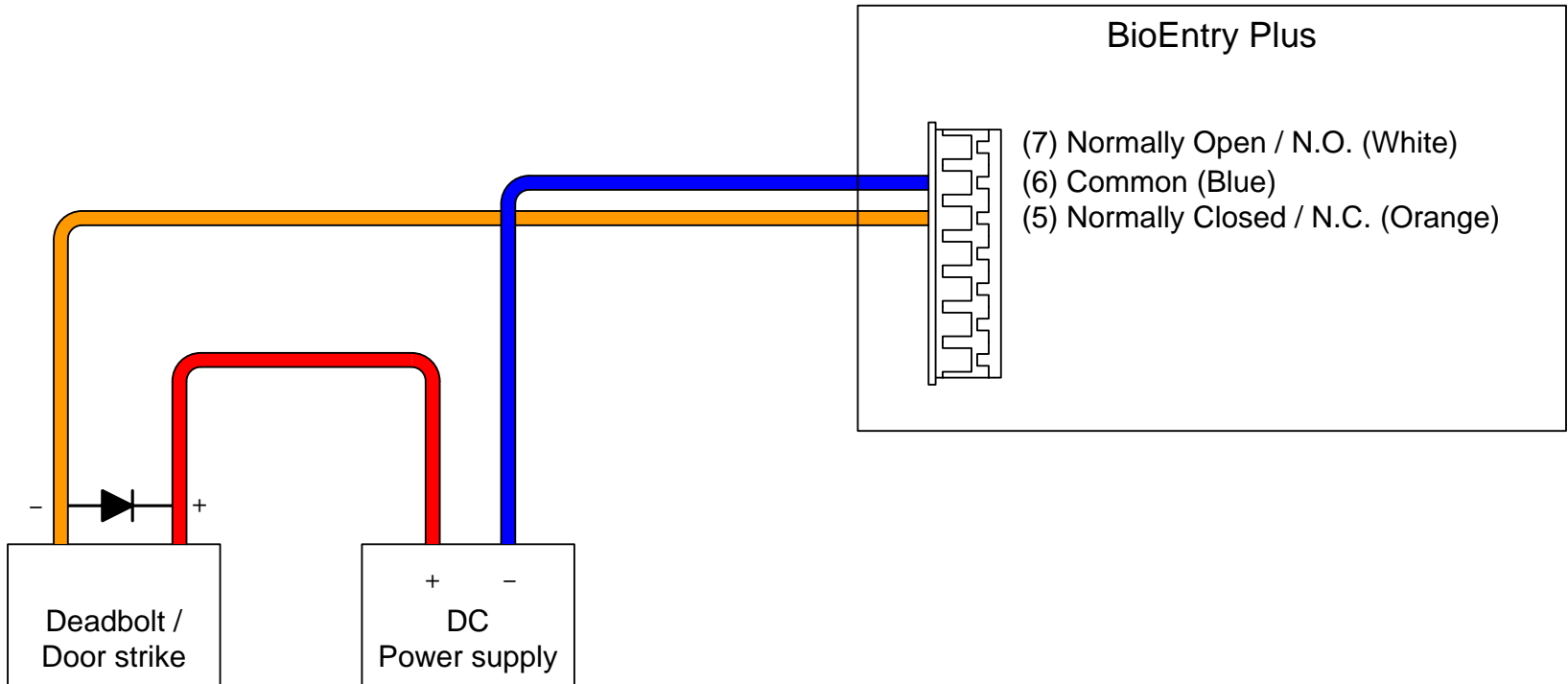
### Important Notes

1. For bus termination, only the devices at both ends of the bus should be terminated. To enable termination on the RS232-485 converter, refer to the converter's manual.
2. The stubs should be as short as practical

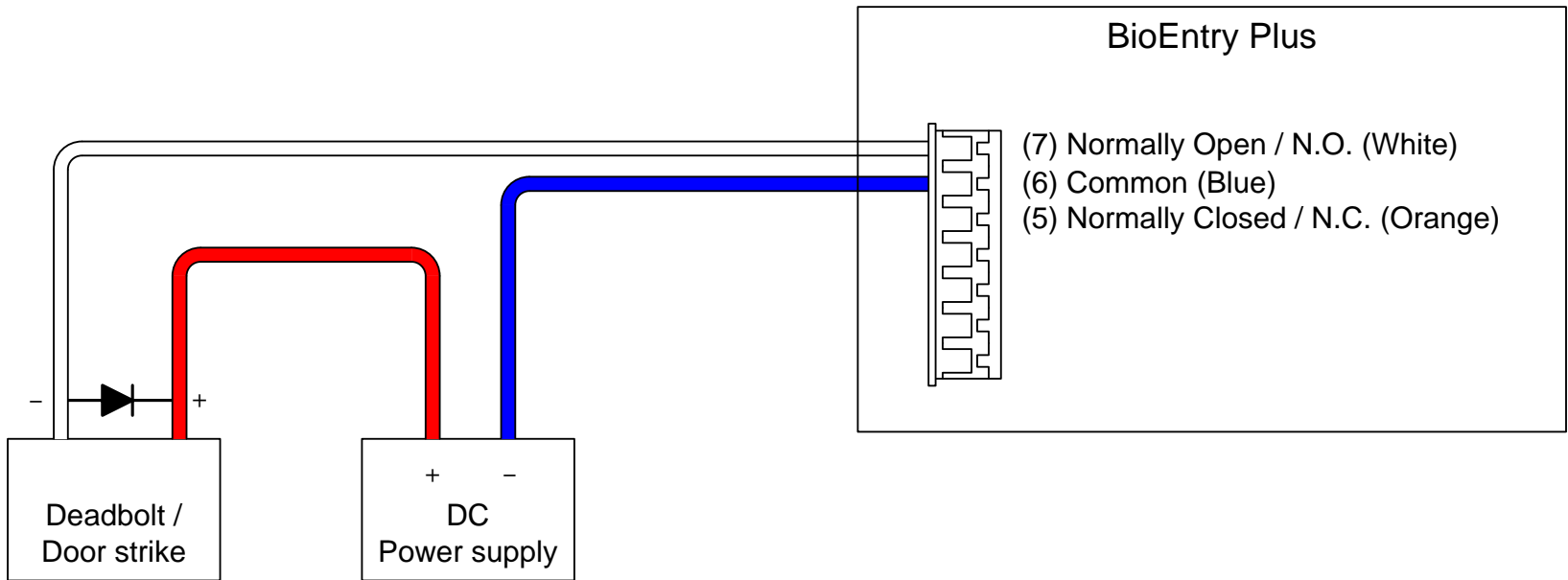
### ■ Max number of devices

- Maximum numbers of devices in an RS485 loop are two(2) devices (BioStation or BioEntry Plus) and four(4) Secure I/Os

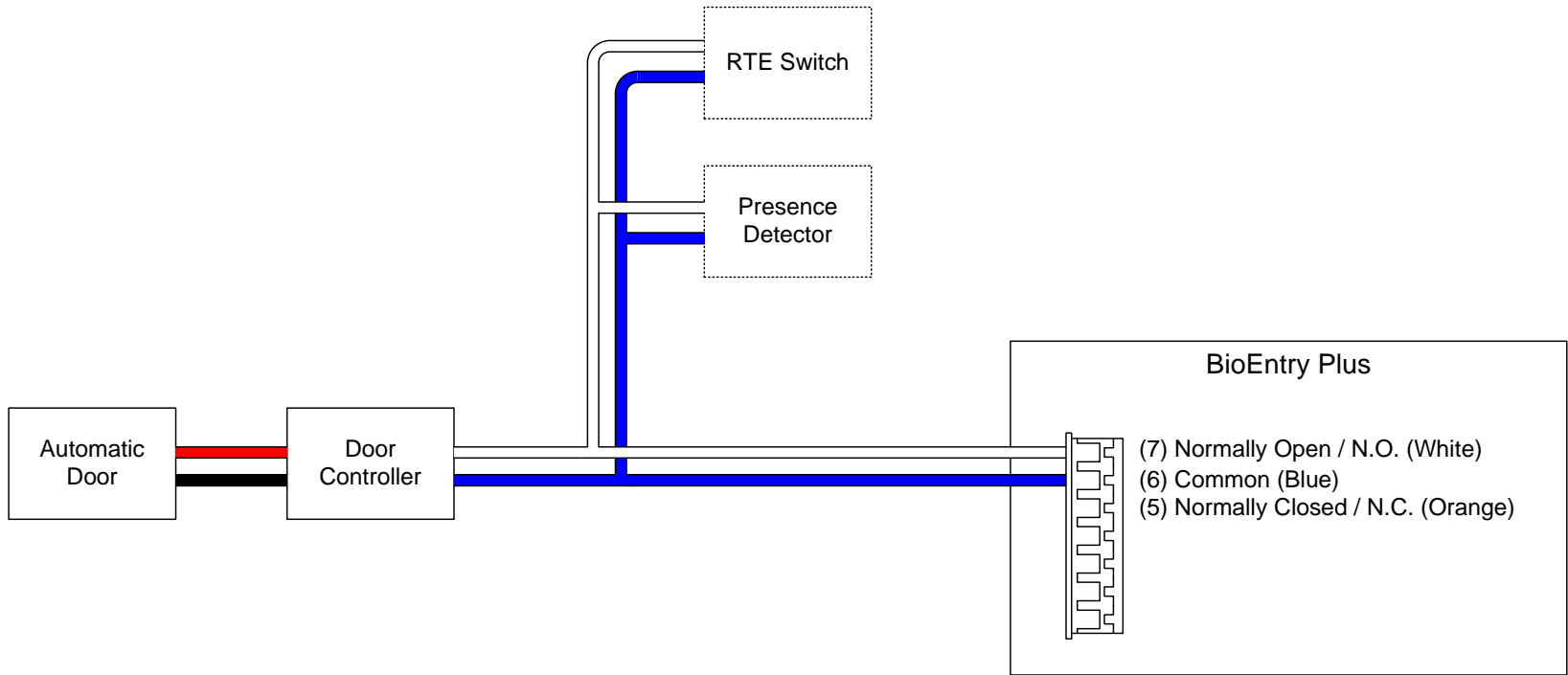
### Relay Connection – Fail safe lock



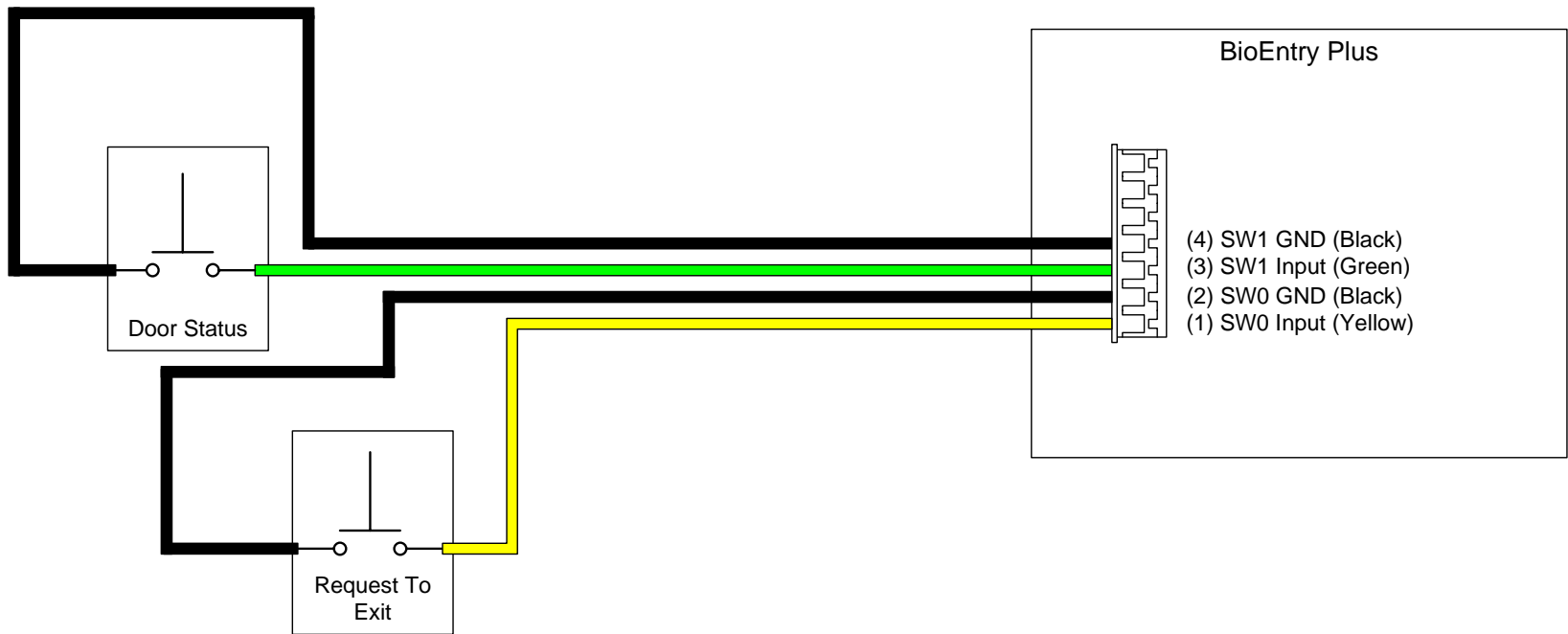
### Relay Connection – Fail secure lock



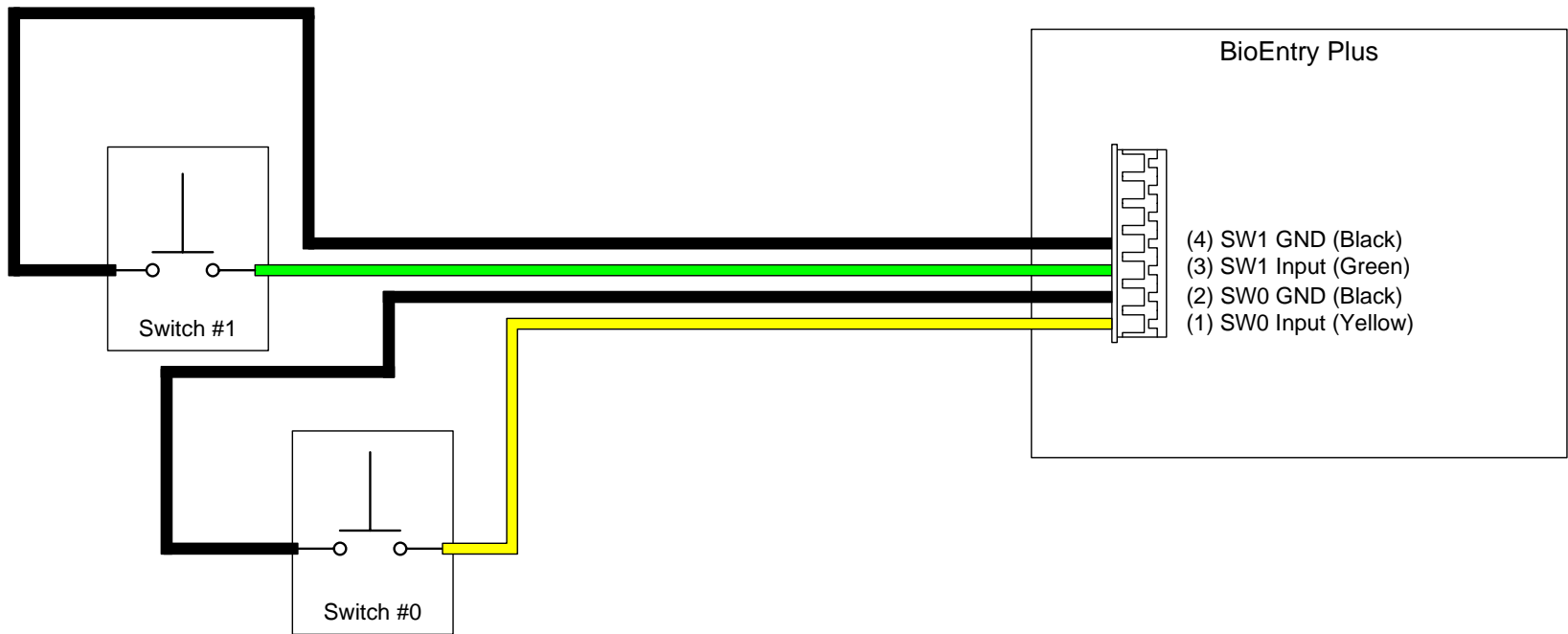
## Relay Connection - Automatic door



### Digital Input Connection (RTE, Door sensor)

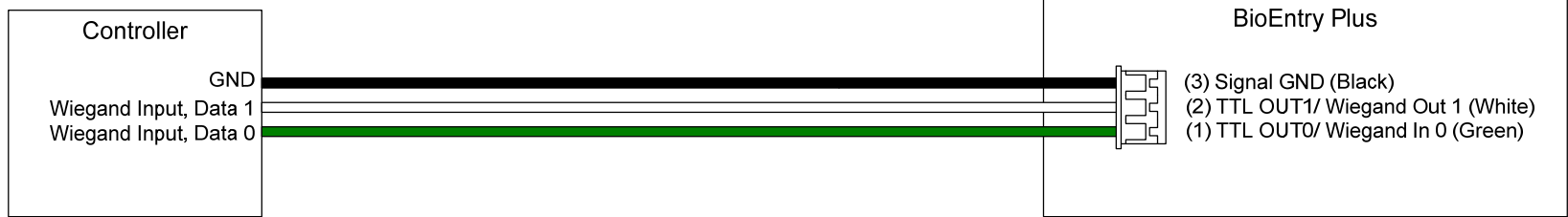


Digital Input Connection (Alarm, Emergency switches)

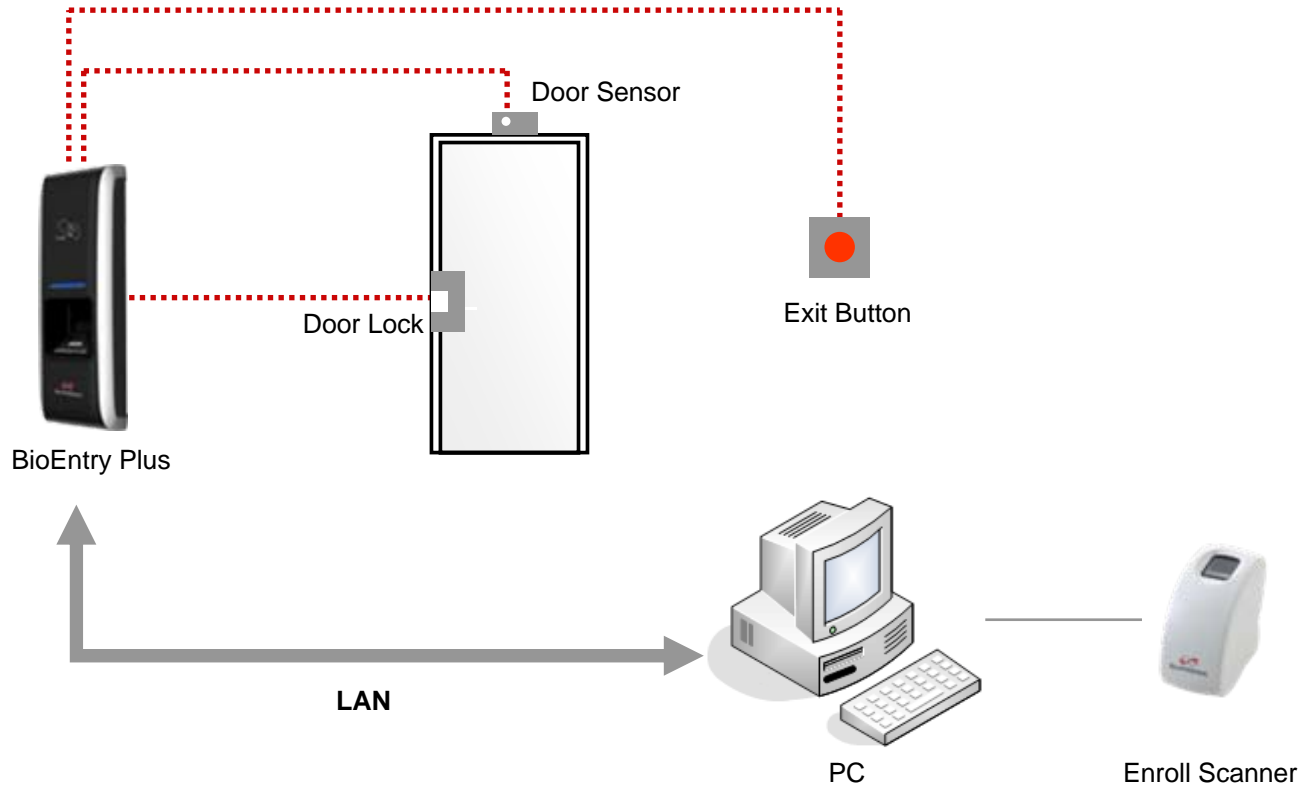




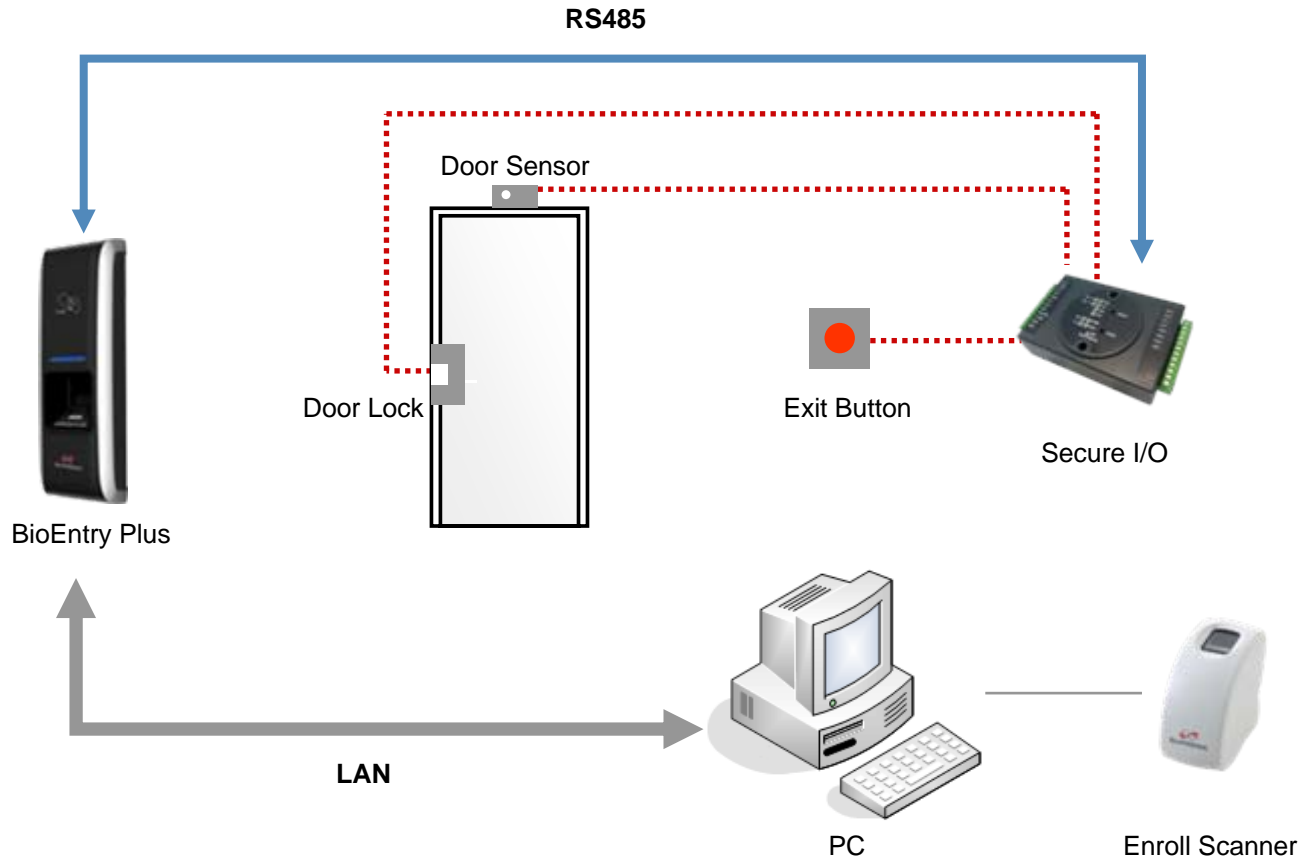
## Wiegand Output



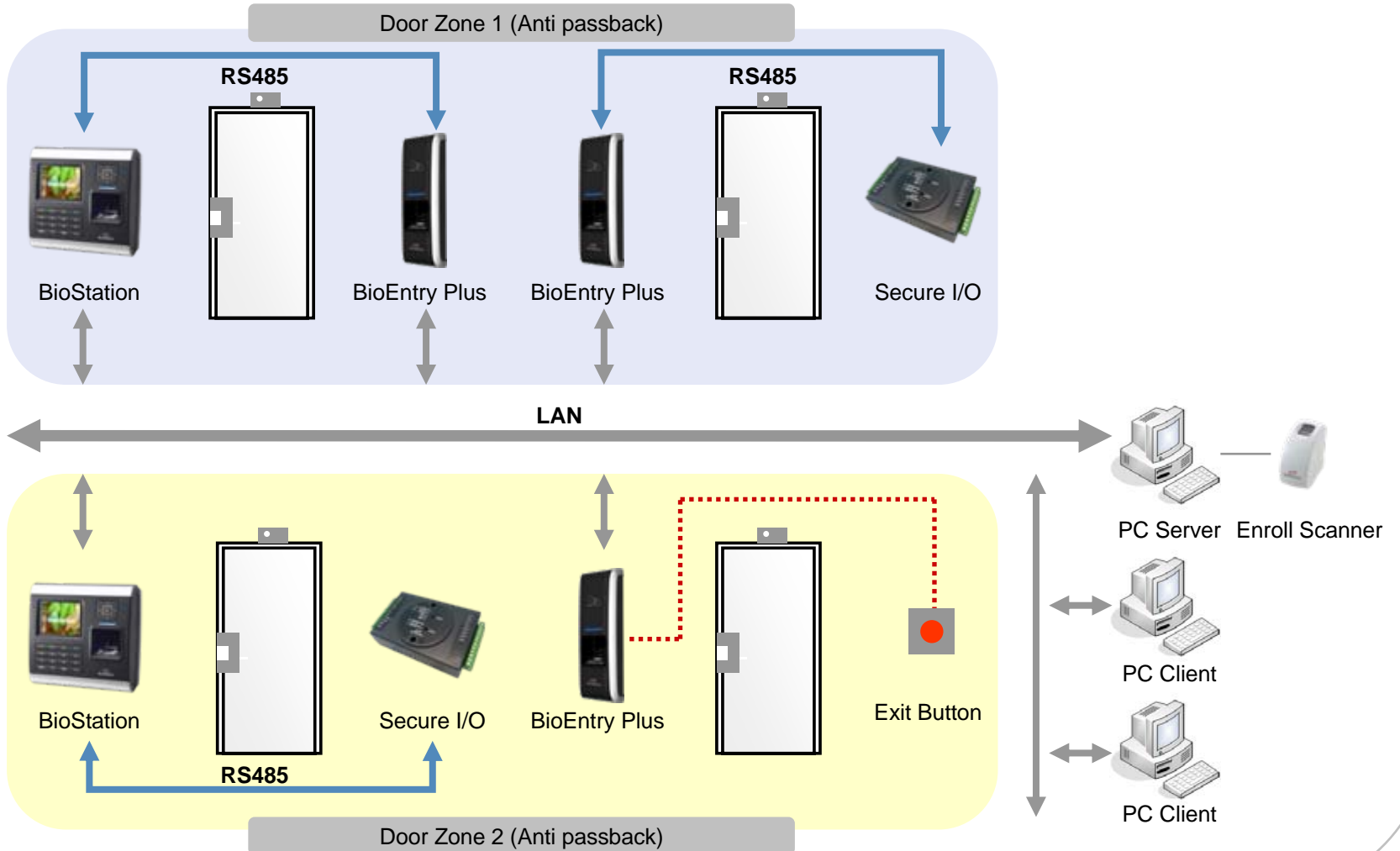
# Installation Reference 1 - Stand alone



# Installation Reference 2 – Secure



### Installation Reference 3 – Network



## Electrical Specification

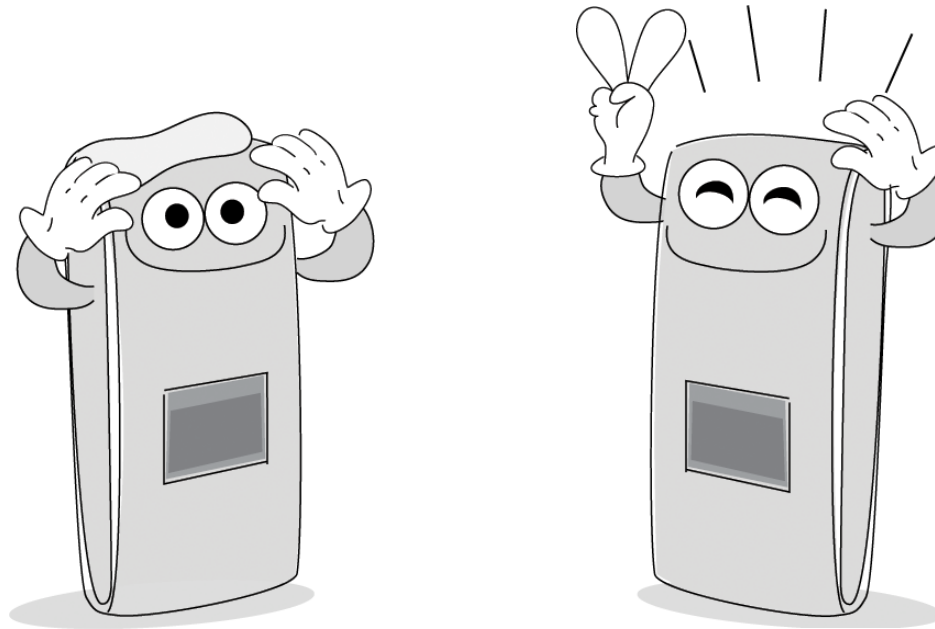
	Min.	Typ.	Max.	Notes
<b>Power</b>				
<b>Voltage (V)</b>	10.8	12	13.2	Use regulated DC power adaptor only
<b>Current (mA)</b>	-		250	
<b>Switch Input</b>				
$V_{IH}$ (V)	-	TBD	-	
$V_{IL}$ (V)	-	TBD		
<b>Pull-up resistance (<math>\Omega</math>)</b>	-	4.7k	-	The input ports are pulled up with 4.7k resistors
<b>TTL/Wiegand Output</b>				
$V_{OH}$ (V)	-	5	-	
$V_{OL}$ (V)	-	0.8	-	
<b>Pull-up resistance (<math>\Omega</math>)</b>	-	4.7k	-	The outputs ports are open drain type, pulled up with 4.7k resistors internally
<b>Relay</b>				
<b>Switching capacity (A)</b>	-	-	1 0.3	30V DC 125V AC
<b>Switching power (resistive)</b>	-	-	30W 37.5VA	DC AC
<b>Switching voltage (V)</b>	-	-	110 125	DC AC

## Troubleshooting

- **Fingerprint can not be read well or it takes too long.**
  - Check whether a finger or fingerprint sensor is stained with sweat, water, or dust
  - Retry after wiping off finger and fingerprint sensor with dry towel.
  - If a fingerprint is way too dry, blow on the finger and retry.
- **Fingerprint is entered but authorization keeps failing.**
  - Check whether the user is restricted by door zone or time zone.
  - Inquire of administrator whether the enrolled fingerprint has been deleted from the device for some reason.
- **Authorized but door is not opened.**
  - Check whether the time is set as lock time.
  - Check whether an antipass back mode is in use. In antipass back mode, only who entered can exit.
- **Device doesn't operate though power is connected.**
  - Check whether a device and a bracket is well connected to each other. If not, a tamper switch is activated and the device doesn't work.

## Device cleaning

- Wipe out machine surface with dry towel or cloth.
- In case there is dust or impurities on the sensor of the BioStation, wipe off the surface with dry towel.
- Note that if the sensor is cleaned by detergent, benzene or thinner, surface is damaged and fingerprint can't be entered.





**SUPREMA**

Suprema Inc.

16F Parkview Office Tower, Jeongja-dong, Bundang-gu,  
Seongnam, Gyeonggi, 463-863 Korea

E-mail : [support@supremainc.com](mailto:support@supremainc.com)

Website : [www.supremainc.com](http://www.supremainc.com)

---

Functions and specifications of the product are subject to changes without notice due to quality enhancement or function update. For any inquiry on the product, please contact **Suprema Inc.**