

NOTES :

1- MATERIAL:

- HOUSING: POLYESTER FIBER GLASS FILLED UL 94-V0 COLOR BLACK.
- TERMINAL: PHOSPHOR BRONZE.

PLATING 2:

POST PLATE (0.00127-0.00152)/.000050-.000060 GOLD IN CONTACT AREA. (0.00190)/.000075 MIN. PURE TIN IN TAIL AREA BOTH OVER (0.00127)/.000050 MIN. NICKEL OVERALL.

PLATING 7: ONLY ON REQUEST

POST PLATE 0.00005/.000002 MIN GOLD OVER 0.000763 .000030 MIN PALLADIUM NICKEL IN CONTACT AREA. 0.00190/.000075 MIN PURE TIN IN TAIL AREA. BOTH OVER 0.00127/.000050 MIN NICKEL OVERALL:

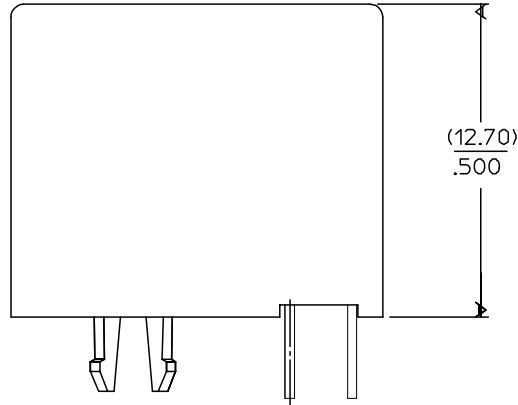
2- JACK FOR MATING WITH F.C.C. 68 PLUGS 90075 MOLEX SERIES.

3- PRODUCT SPECIFICATION PS-95003.

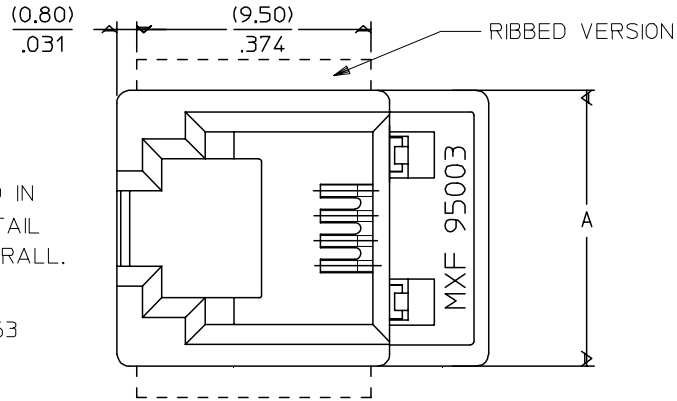
4- APPLICATION SPECIFICATION AS-95001.

5- PACKAGING SPECIFICATION PK-95003:

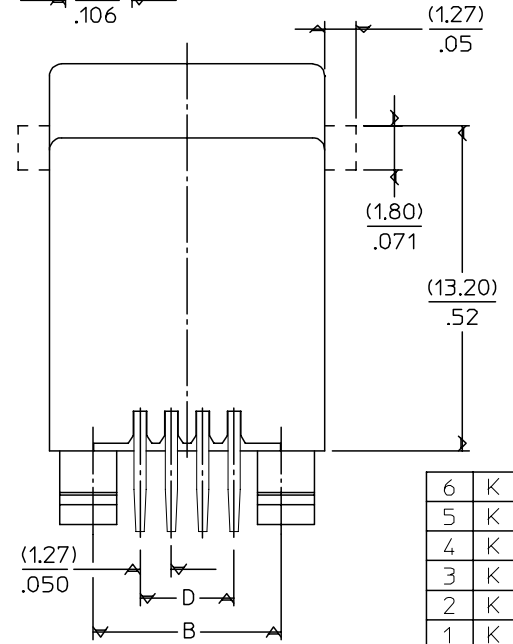
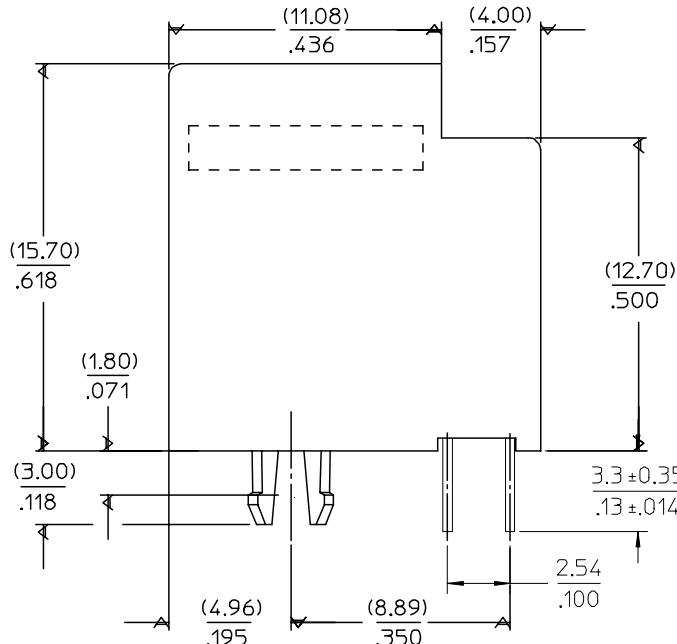
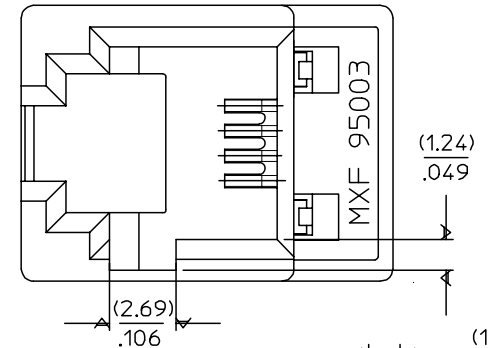
- STANDARD PACKAGING SHEET 1.
- TUBE PACKAGING FOR SMT VERSION SHEET 2.
- TUBE PACKAGING FOR THROUGH HOLE VERSION SHEET 3.



SHORT VERSION



OPTIONAL KEYING



6	K
5	K
4	K
3	K
2	K
1	K

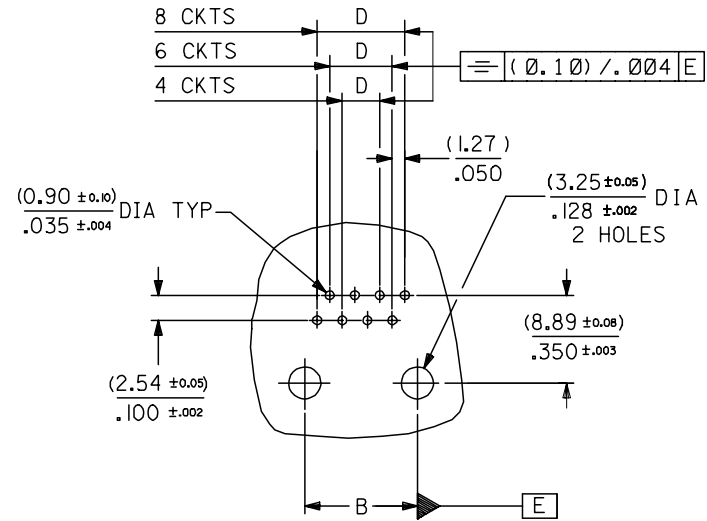
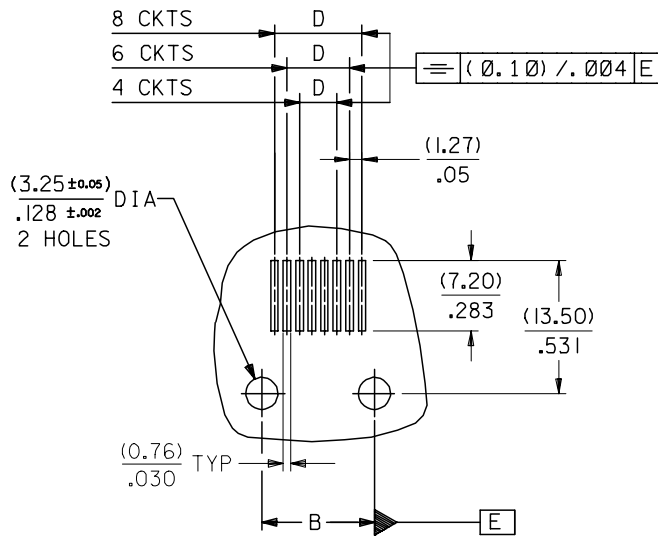
ENTER DESCRIPTION EC NO: MG2005-0119 DRAWN:KNOLLER 2004/10/06 CHKD:FCARABET 2004/10/06 APPR:KNOLLER 2004/10/11	QUALITY SYMBOLS ▽=0 ▽C=0	GENERAL TOLERANCES (UNLESS SPECIFIED)		DIMENSION STYLE MM/IN	SCALE 5:1	DESIGN UNITS METRIC	THIRD ANGLE PROJECTION	
		4 PLACES ± --- ± ---	3 PLACES ± --- ± .006	2 PLACES ± 0.15 ± .010	1 PLACE ± 0.25 ± ---	ANGULAR ± .5 °	DRAWN BY GP	DATE 95/05/15
REV K	DESCRIPTION	DRAFT WHERE APPLICABLE MUST REMAIN WITHIN DIMENSIONS		SIZE A3	MATERIAL NO. SEE SHT 4,5,6		DOCUMENT NO. SDA-95003-F	SHEET NO. 1 OF 6
		THIS DRAWING CONTAINS INFORMATION THAT IS PROPRIETARY TO MOLEX INCORPORATED AND SHOULD NOT BE USED WITHOUT WRITTEN PERMISSION						

DIM. \ TYPE	POS. 4		POS. 6		POS. 8	
	4 CKTS.	4 CKTS.	6 CKTS.	4 CKTS.	6 CKTS.	8 CKTS.
A	(11.18) / .440	(13.21) / .520	(13.21) / .520	(15.24) / .600	(15.24) / .600	(15.24) / .600
B (± 0.05) / ± 0.002	(7.62) / .300	(10.16) / .400	(10.16) / .400	(11.43) / .450	(11.43) / .450	(11.43) / .450
D (± 0.05) / ± 0.002	(3.81) / .150	(3.81) / .150	(6.35) / .250	(3.81) / .150	(6.35) / .250	(8.89) / .350

P.C.B. MOUNTING PATTERNS - SEE FROM COMPONENT SIDE

FOR SMT JACK (SURFACE MOUNT)

FOR STANDARD JACK (THROUGH HOLE)



ENTER DESCRIPTION EC NO: MG2005-0119 DRAWN: KNOLLER 2004/10/06 CHKD: FCARABET 2004/10/06 APPR: KNOLLER 2004/10/11	QUALITY SYMBOLS ▽=0 ▽C=0	GENERAL TOLERANCES (UNLESS SPECIFIED)		DIMENSION STYLE MM/IN	SCALE 2:1	DESIGN UNITS METRIC	THIRD ANGLE PROJECTION	
		4 PLACES ± --- ± --- 3 PLACES ± --- ± .006 2 PLACES ± 0.15 ± .010 1 PLACE ± 0.25 ± --- ANGULAR ± .5 °	DRAWN BY GP	DATE 95/05/15	TITLE LOW PROFILE T/E JACK			
		DRAFT WHERE APPLICABLE MUST REMAIN WITHIN DIMENSIONS	CHECKED BY DATE	APPROVED BY DATE	MOLEX MOLEX INCORPORATED			
		SEE SHT. 4, 5	MATERIAL NO. DOCUMENT NO. SDA-95003-F	SHEET NO. 3 OF 6				

TRAY PACKAGING, SEE PACKAGING SPEC PK95003 SHEET 1

HOUSING SIZE	LOADED CONTACTS	PLATING	PART NO FOR JACK ASSEMBLY THROUGH HOLE STANDARD VERSION					PART NO FOR JACK ASSEMBLY THROUGH HOLE SHORT VERSION					PART NO FOR JACK ASSEMBLY S.M.T. SHORT VERSION						
			POLYESTER FIBER GLASS FILED 94VO COLOR BLACK					POLYESTER FIBER GLASS FILED 94VO COLOR BLACK					POLYAMIDE 4/6 FIBER GLASS FILED 94VO COLOR GREY					POLYAMIDE 4/6 FIBER GLASS FILED 94VO COLOR BLACK	
			NO KEY	TOOLED	KEY	TOOLED	NO KEY	TOOLED	KEY	TOOLED	NO KEY	TOOLED	KEY	TOOLED	NO KEY	TOOLED	KEY	TOOLED	
			NO RIB		NO RIB		NO RIB		NO RIB		NO RIB		NO RIB		NO RIB		NO RIB		
4	4	2	95003-244I	X	95003-2442		95003-2444		95003-2445		95003-6444		95003-6445		95003-6454		95003-6455		
6	4	2	95003-264I	X	95003-2642		95003-2644		95003-2645		95003-6644		95003-6645		95003-6654		95003-6655		
6	6	2	95003-266I	X	95003-2662		95003-2664	X	95003-2665		95003-6664	X	95003-6665		95003-6674	X	95003-6675		
8	4	2	95003-284I		95003-2842		95003-2844		95003-2845		95003-6844		95003-6845		95003-6854		95003-6855		
8	6	2	95003-286I		95003-2862		95003-2864		95003-2865		95003-6864		95003-6865		95003-6874		95003-6875		
8	8	2	95003-288I	X	95003-2882	X	95003-2884		95003-2885		95003-6884		95003-6885		95003-6894		95003-6895		

TOOLED	X
NOT TOOLED	

ENTER DESCRIPTION EC NO: MG2005-0119 2004/10/06 DRAWN: KNOLLER 2004/10/06 CHKD: FCARABET 2004/10/06 APPR: KNOLLER 2004/10/11	REV K	QUALITY SYMBOLS ▽=0 ▽=0	GENERAL TOLERANCES (UNLESS SPECIFIED)		DIMENSION STYLE MM/IN		SCALE ---	DESIGN UNITS METRIC	THIRD ANGLE PROJECTION ☉											
			<table border="0" style="width: 100%;"> <tr> <td style="width: 50%;">4 PLACES</td> <td style="width: 50%;">± --- ± ---</td> </tr> <tr> <td>3 PLACES</td> <td>± --- ± ---</td> </tr> <tr> <td>2 PLACES</td> <td>± --- ± ---</td> </tr> <tr> <td>1 PLACE</td> <td>± --- ± ---</td> </tr> <tr> <td colspan="2" style="text-align: center;">ANGULAR ± --- °</td> </tr> </table>		4 PLACES	± --- ± ---	3 PLACES	± --- ± ---	2 PLACES	± --- ± ---	1 PLACE	± --- ± ---	ANGULAR ± --- °		DRAWN BY GP		DATE 95/05/15		TITLE LOW PROFILE T/E JACK THROUGH HOLE STD. VERS. THROUGH H. SMT SHORT V.	
			4 PLACES	± --- ± ---																
			3 PLACES	± --- ± ---																
2 PLACES	± --- ± ---																			
1 PLACE	± --- ± ---																			
ANGULAR ± --- °																				
DRAFT WHERE APPLICABLE MUST REMAIN WITHIN DIMENSIONS		APPROVED BY DATE		MATERIAL NO.		DOCUMENT NO. SDA-95003-F		SHEET NO. 4 OF 6												
SEE CHART																				

THIS DRAWING CONTAINS INFORMATION THAT IS PROPRIETARY TO MOLEX INCORPORATED AND SHOULD NOT BE USED WITHOUT WRITTEN PERMISSION